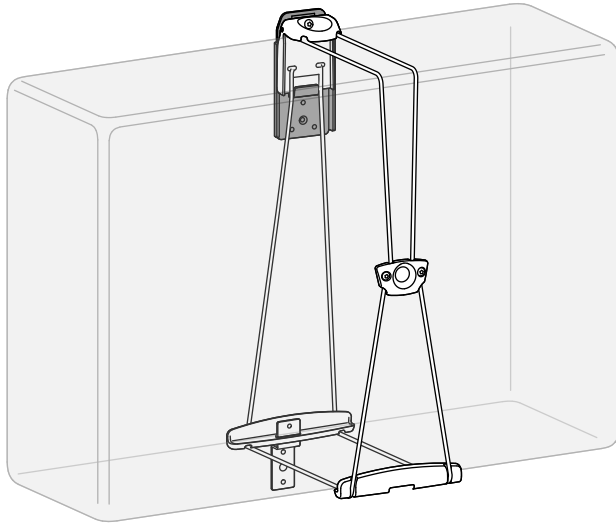


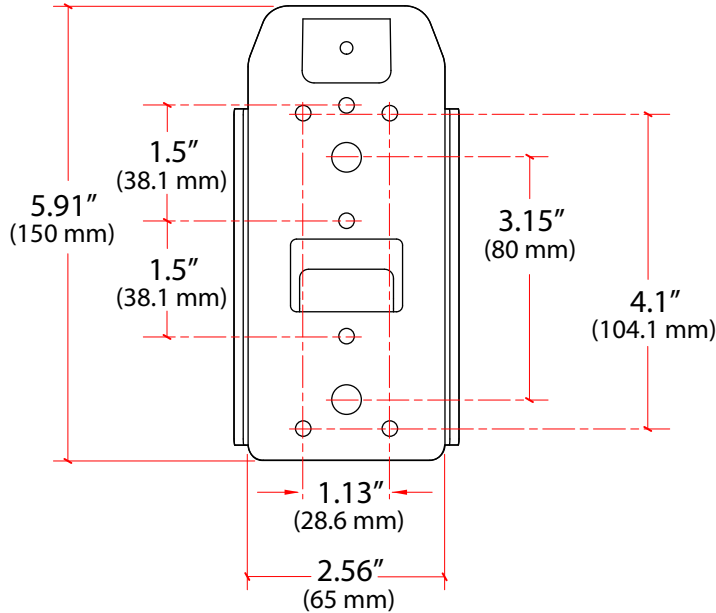
Universal CPU Holder



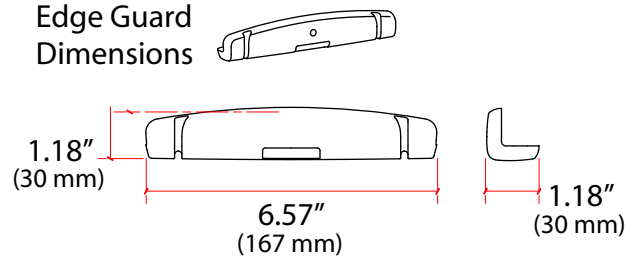
Maximum Size: 18" x 8.5" (457 x 216 mm)
 Minimum Size: 12" x 3" (305 x 76 mm)

Overall dimensions
 vary based on the
 CPU dimensions

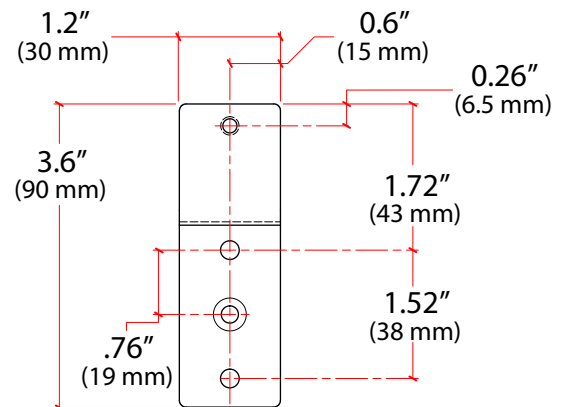
Top Bracket Dimensions



Edge Guard Dimensions



Bottom Bracket Dimensions



© 2008 Ergotron, Inc. rev. 08-28-2008 DIM-CPU Content is subject to change without notification.

Americas Sales and Corporate Headquarters

St. Paul, MN USA
 (800) 888-8458
 +1-651-681-7600
 www.ergotron.com
 sales@ergotron.com

EMEA Sales

Amersfoort, The Netherlands
 +31 33 45 45 600
 www.ergotron.com
 info.eu@ergotron.com

APAC Sales

Singapore
 www.ergotron.com
 info.apac@ergotron.com

Worldwide OEM Sales

www.ergotron.com
 info.oem@ergotron.com

